

Optical 8-Port Selector Switch

EM316-OSW8



Features

- Eight selectable optical LC ports
- Low insertion loss (2.5 dB)
- C-band and L-band range (1528 nm – 1610 nm)
- Hardware configurability
- Fiber Driver management compatibility
- Hot-swap support
- One-slot Fiber Driver module

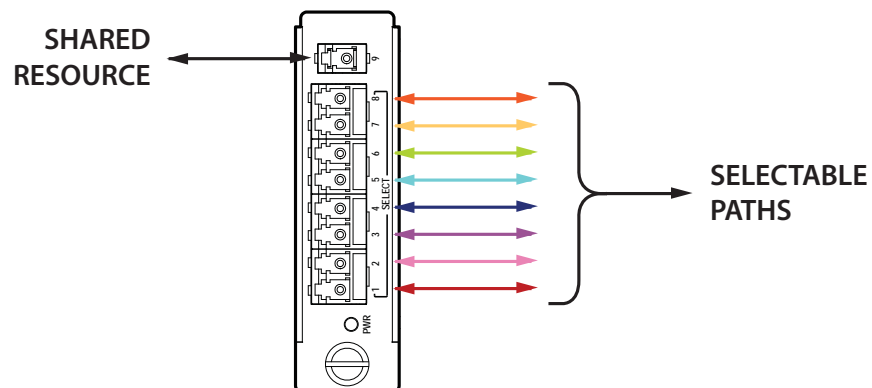
Overview

The Optical 8-Port Selector Switch (OSW8) maps a common optical port to any of the eight selectable optical ports. With a low insertion loss and steady switching operation, the module allows cost-effective sharing of expensive test and measurement equipment on the common port. More generally, the OSW8 simply selects one of eight data routes through the module.

One application of the OSW8 allows the Fiber Driver Optical Spectrum Analyzer (OSA) to monitor up to eight independent data ports for powerful remote network administration.

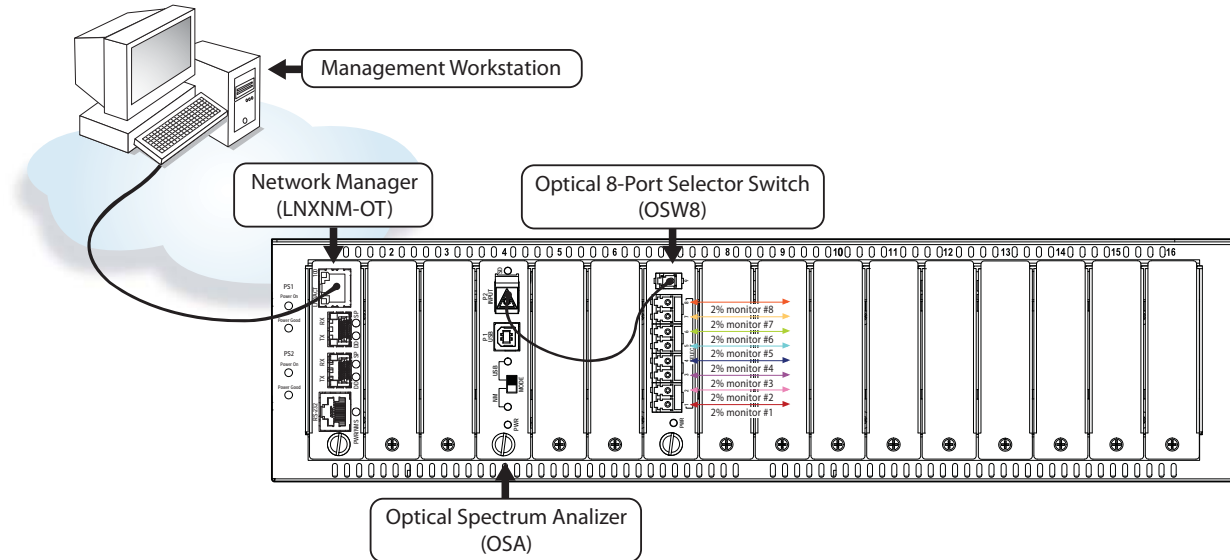
The Fiber Driver network manager (LNXNM-OT) module provides remote access to the OSW8 switch to select the data path from anywhere on the network. The same manager also controls all other Fiber Driver modules within the chassis for additional capital investment value.

Optical 8-Port Selector Switch Data Flow



Datasheet

Optical 8-Port Selector Switch Application Example



Physical Specifications	
Operating Temperature:	-0°C to 50°C (32°F to 122°F)
Storage Temperature	-40°C to 85°C (-40°F to 185°F)
Relative Humidity	85% maximum, non-condensing
Physical Dimensions (W x H x D)	25 mm x 75 mm x 175 mm deep (1" x 3" x 7" deep)
Approximate Weight	450 grams (16 oz)
Regulatory Compliances	FCC Part 15 (Class A); IC (Class A); EMC Directive: Emission (Class A) and Immunity; RoHS Directive; China RoHS; REACH Directive; WEEE Directive; The Quality Management System is certified to ISO 9001 by QMI-SAI Global The Environmental Management System is in compliance with ISO 14001

Ordering Information				
Model	Description	Protocols	Insertion loss	Connectors
EM316-OSW8	8-to-1 Optical Selector Switch	Optical Signals 1528-1610 nm	2.5 dB	LC x 9

MRV has more than 50 offices throughout the world. Addresses, phone numbers and fax numbers are listed at www.mrv.com. Please e-mail us at info@mrv.com or call us for assistance.

MRV Los Angeles
20415 Nordhoff Street
Chatsworth, CA 91311
800-338-5316
818-773-0900

MRV Boston
300 Apollo Drive
Chelmsford, MA 01824
800-338-5316
978-674-6800

MRV International
Business Park Moerfelden
Waldeckerstrasse 13
64546 Moerfelden-Walldorf
Germany
Tel. (49) 6105/2070
Fax (49) 6105/207-100

All statements, technical information, and recommendations related to the products herein are based upon information believed to be reliable or accurate. However, the accuracy or completeness thereof is not guaranteed, and no responsibility is assumed for any inaccuracies. Please contact MRV Communications for more information. MRV Communications and the MRV Communications logo are trademarks of MRV Communications, Inc. Other trademarks are the property of their respective holders.