

Datasheet

LambdaDriver®- Optical Channel Monitor (EM800- OCMC)



EM800-OCMC

Overview

The Optical Channel Monitor (OCM) module is a powerful addition to the LambdaDriver Optical Transport System serving at optical communication nodes to monitor and measure DWDM wavelengths at strategic points in the optical network. The module can identify the discrete DWDM wavelengths and provide detailed information about their optical power and OSNR across a wide range of modulation formats and transmission data rates .

The acquired information is stored in the module and provided to the management card for user examination and analysis. Four optical taps with LC type connectors are available on the front panel of the module.

Each such tap includes one IN and one OUT port. The IN port connects to an internal splitter that filters 5% of the incoming

Features

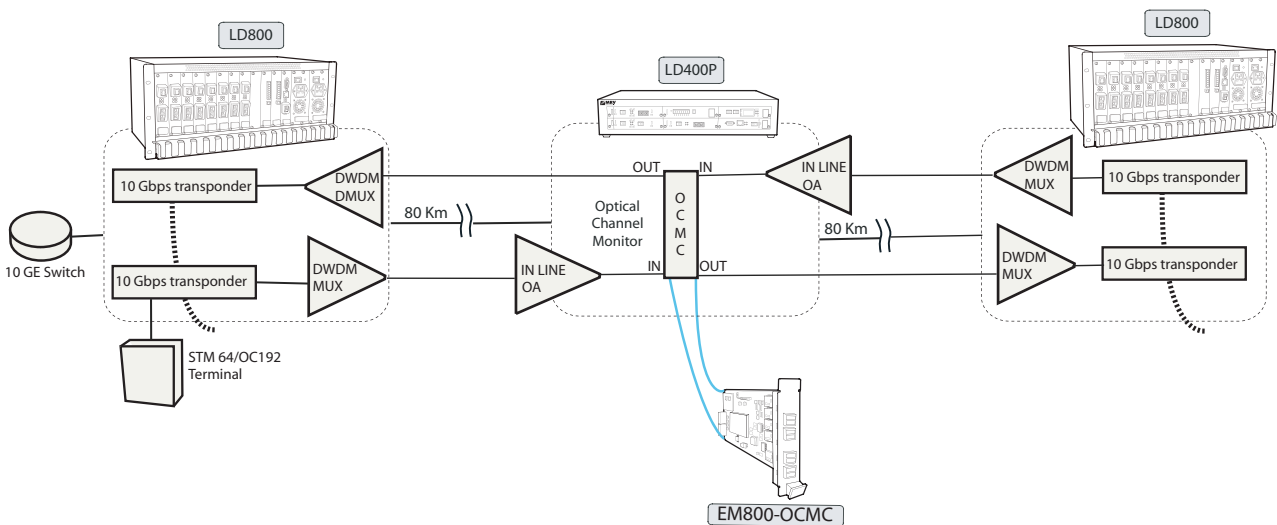
- Hot swappable
- 50GHz channel spacing monitoring

Applications

- In-service optical monitoring

optical signal and presents it via an internal controlled optical switching matrix to the OCM block. The remaining 95% continues its path to the OUT port without being additionally affected due to the high (min 50db) isolation between the monitoring port and the main path. The user can select via management the monitoring of any port (IN or OUT) as required.

Strategic placement of the module at different locations in an optical network combined with the flexibility and quality of information acquired via remote access management provide a powerful tool for troubleshooting and advanced alert purposes.



Environmental

Operating Temperature	- 5 to 45 °C
Storage Temperature	-10 to 70 °C
Relative Humidity	85% maximum, non-condensing
Dimensions (W x H x D)	EM800: W: 26.93 x 130.7 x 227 mm 1.06 x 5.145 x 8.93 In
Weight	EM800: 0.528 kg 1.16 lb
Connector	LC - All taps
Power consumption	6 watt

Technical Specifications

WDM grid	ITU - T - G.694.1	1527 - 1565nm
Insertion Loss (max)		1dB
Crosstalk (max)		-50 dB
Repeatability (max)		0.02 dB
Optical Input power (max)		500mW
Absolute power accuracy (max)		+/- 0.5dB
OSNR magnitude (50 GHz spacing)		25 dB
OSNR magnitude (100 GHz spacing)		28 dB
Per channel power range		-40 to -10 dBm
Switching time (max)		30 mS

Order Info

Product	Description
EM800-OCMC	Optical Channel Monitoring module

All statements, technical information and recommendations related to the products herein are based upon information believed to be reliable or accurate. However, the accuracy or completeness thereof is not guaranteed, and no responsibility is assumed for any inaccuracies. Please contact MRV Communications for more information. MRV Communications and the MRV Communications logo are trademarks of MRV Communications, Inc. Other trademarks are the property of their respective holders.