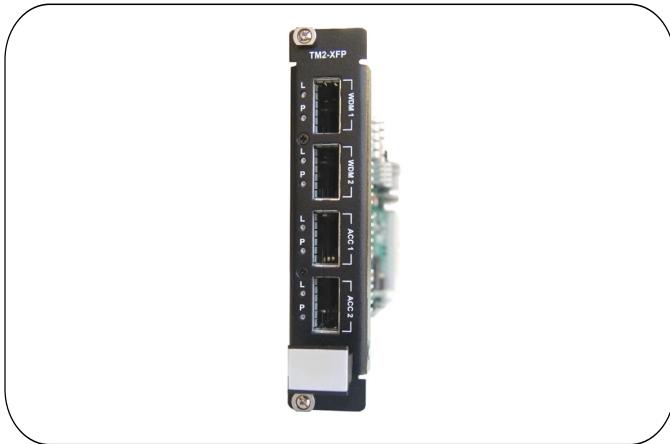




LambdaDriver®-10 Gbps XFP - Dual Transponder Module (TM2-XFP)



TM2-XFP module

Features

- 10Gbps data rates settable to OC-192, 10GE or 10 FC
- 3R support
- LIN (Link Integrity Notification) mechanism
- Remote Loop-back
- XFP digital diagnostics
- Y-Cable backup protection
- Hot swappable

Applications

- 10Gbps signal regeneration and optical wavelength conversion

Overview

The TM2-XFP is a single slot module incorporating two independent 10Gbps transponders that convert the “gray” wavelength of a terminal equipment interface into ITU-T grid DWDM wavelength enabling its transport via the LambdaDriver® Optical Transport System.

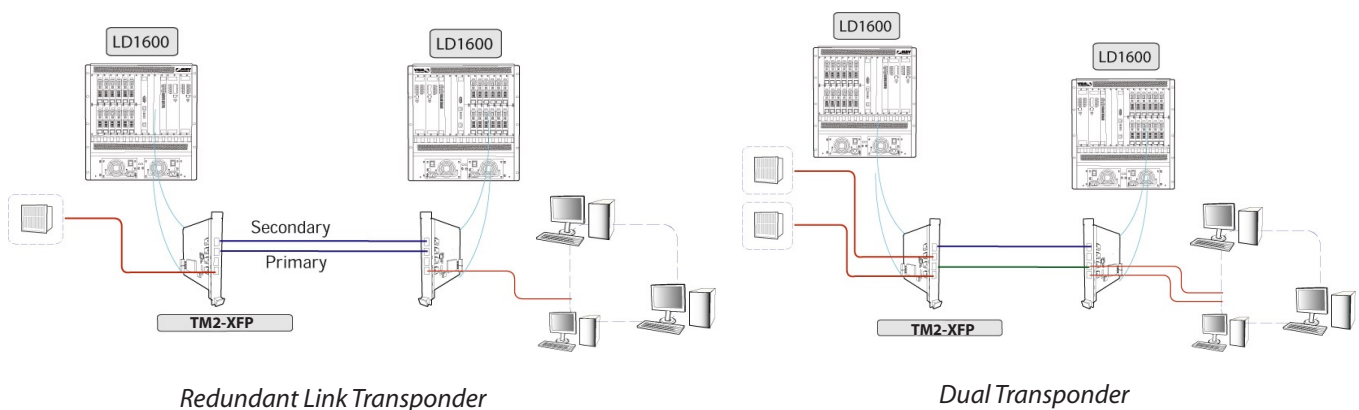
The integrated Automatic Laser Shutdown (ALS) feature automatically reduces the optical power of the transmitters to an eye safe level in case of a broken link. The ALS feature is implemented on both ports of the transponders (DWDM trunk and Terminal equipment access port).

Remote and Local Loop-back functionality is supported and provides an essential tool for troubleshooting and maintenance operations in a live network.

The Link Integrity Notification (LIN) function allows the terminal equipment to detect a link failure in the path between the two end nodes regardless of the location of the failure.

The TM2-XFP transponders also support the Y-Cable based fast switchover protection protocol. In this protection mode two adjacent transponders in a LambdaDriver® chassis run a protocol that maintains “operational” and “standby” transponders for a single 10Gbps port of an access device.

The modules are manageable by the LambdaDriver management module either locally by RS-232 CLI access or remotely by Telnet, SNMP or GUI management using the MRV MegaVision Pro management platform.



Environmental

Operating Temperature	-5 to 45 °C (23 to 113 °F)	
Storage Temperature	-10 to 70 °C (14 to 158 °F)	
Relative Humidity	85% max, non-condensing	
Dimensions (W x H x D)	26.93 x 130.7 x 227 mm (1.06 x 5.145 x 8.956 In)	
Weight	0.55 Kg (1.21 lb)	
Connectors	XFP sockets all ports	
Power Consumption	Module: 4.3W	XFP: 3.5 W

Technical Specifications

Data Rate	10GE or OC192 (STM-64)
Optical Parameters	Per the XFP
LEDs	
P/L n:	Detection of XFP and Link presence or absence at port n

Order Info

Product	Description
TM2-XFP	XFP Access and Line ports, Dual Transponder for 10GE, 10GFC, STM-64/OC192

All statements, technical information and recommendations related to the products herein are based upon information believed to be reliable or accurate. However, the accuracy or completeness thereof is not guaranteed, and no responsibility is assumed for any inaccuracies. Please contact MRV Communications for more information. MRV Communications and the MRV Communications logo are trademarks of MRV Communications, Inc. Other trademarks are the property of their respective holders.