

Datasheet

10 Gbps 40 km Single-Mode SFP+ Transceiver

SFP-10GD-ER



Highlights

- SFP+ transceiver
- Data Rates: 9.95 - 11.1 Gbps
- Compliant protocols:
 - 10 Gigabit Ethernet
 - 10 Gigabit Ethernet with FEC
- Single-mode fiber
- 1550 nm
- 0 - 40 km
- Duplex LC connector
- Digital Diagnostics (SFF-8472)
- Hot-swap

Overview

Small Form-Factor Pluggable (SFP) interfaces from MRV Communications provide flexible high speed links in a small industry standard package. They deliver the deployment options and inventory control that network administrators demand for growing networks.

SFPs are designed to Multi-Source Agreement (MSA) standards to ensure network equipment compatibility. They are a perfect addition to MRV's extensive lines of networking equipment.

Visit the MRV website at www.mrv.com or contact your nearest authorized MRV Communications dealer for more information.

Specifications Overview

Data Rate	9.95 - 11.1 Gbps
Tx Wavelength	1550 nm
Tx Power (Minimum)	-4.7 dBm
Tx Dispersion Penalty	3.0 dB
Tx Disable	Yes
Rx Wavelength	1530 - 1565 nm
Rx Sensitivity in OMA	-14.1 dBm
Rx Saturation	-1 dBm
Operating Temperature Range	0 to 70 °C
Power Consumption	1.5 Watt

Datasheet

Optical Specifications

Parameter	Symbol	Minimum	Maximum	Unit	Note
Transmitter					
Optical Modulation Amplitude (OMA)	P_{OMA}	-1.7	-	dBm	-
Average Launch Power	P_{AVE}	-4.7	4.0	dBm	1
Optical Wavelength	λ	1530	1565	nm	-
Side-Mode Suppression Ratio	SMSR	30	-	dB	-
Optical Extinction Ratio	ER	3.0	-	dB	-
Transmitter and Dispersion Penalty	TDP	-	3.0	dB	-
Average Launch Power of OFF Transmitter	P_{OFF}	-	-30	dBm	-
Tx Jitter	Tx_j	Per IEEE 802.3ae requirements			-
Relative Intensity Noise	RIN	-	-128	dB/Hz	-
Receiver					
Receiver Sensitivity (OMA) @ 11.1 Gbps	R_{SENS1}	-	-14.2	dBm	2
Stressed Receiver Sensitivity (OMA) @ 11.1 Gbps	R_{SENS2}	-	-11.3	dBm	3
Average Receiver Power	P_{AVE}	-15.8	-1.0	dBm	-
Optical Center Wavelength	λ_C	1530	1565	nm	-
Receiver Reflectance	R_{rx}	-	-26	dB	-
LOS De-Assert	LOS_D	-	-22	dBm	-
LOS Assert	LOS_A	-28	-	dBm	-
LOS Hysteresis	-	0.5	-	dB	-

- Notes:
1. Average Power figures are informative only, per IEEE802.3ae.
 2. Valid between 1260 and 1355 nm. Measured with worst ER; BER<10⁻¹²; 2³¹ – 1 PRBS.
 3. Valid between 1260 and 1355 nm. Per IEEE 802.3ae.

Digital Diagnostics Specifications

Parameter	Symbol	Min	Max	Unit	Note
Accuracy					
Internally Measured Transceiver Temperature	$\Delta DD_{Temperature}$	-	3	°C	-
Internally Measured Transceiver Supply Voltage	$\Delta DD_{Voltage}$	-	3	%	-
Measured TX Bias Current	ΔDD_{Bias}	-	10	%	1
Measured TX Output Power	$\Delta DD_{Tx-Power}$	-	2	dB	-
Measured RX Received Average Optical Power	$\Delta DD_{Rx-Power}$	-	2	dB	-
Dynamic Range for Rated Accuracy					
Internally Measured Transceiver Temperature	$DD_{Temperature}$	0	70	°C	-
Internally Measured Transceiver Supply Voltage	$DD_{Voltage}$	3.1	3.5	V	-
Measured TX Bias Current	DD_{Bias}	0	TBD	mA	-
Measured TX Output Power	$DD_{Tx-Power}$	-8.2	0.5	dBm	-
Measured RX Received Average Optical Power	$DD_{Rx-Power}$	-14.2	0.5	dBm	-

- Notes:
1. Accuracy of measured Tx bias current is 10% of the actual bias current from the laser driver to the laser.

Datasheet

Absolute Maximum Ratings*

Parameter	Symbol	Minimum	Maximum	Unit	Note
Maximum Supply Voltage	V_{CC}	-0.5	4.0	V	-
Storage Temperature	T_S	-40	85	°C	-
Relative Humidity (Non-Condensing)	RH	0	85	%	-

*Exceeding the limits listed in the table may damage the transceiver module permanently

General Specifications

Parameter	Symbol	Minimum	Maximum	Unit	Note
Bit Rate	BR	9.95	11.1	Gbps	1
Bit Error Ratio	BER	-	10^{-12}	-	2
Max. Supported Link Length	S_{MAX}	-	-	km	1

Notes: 1. 10GBASE-ER, 10GBASE-EW. With FEC, BER=4E⁻⁷
 2. Tested with a 2³¹ – 1 PRBS

Electrical Specifications

Parameter	Symbol	Minimum	Maximum	Unit	Note
Supply Voltage	V_{CC}	3.14	3.46	V	-
Supply Current	I_{CC}	-	400	mA	-
Transmitter					
Input Differential Impedance	R_{in}	-	-	Ω	1
Differential Data Input Swing	$V_{in, pp}$	180	700	mV	-
Transmit Disable Voltage	V_D	2	V_{CC}	V	-
Transmit Enable Voltage	V_{EN}	V_{ee}	$V_{ee} + 0.8$	V	-
Receiver					
Differential Data Output Swing	$V_{out, pp}$	300	850	mV	2
Output Rise Time, Fall Time	T_r, T_f	30	-	ps	3
LOS Fault	$V_{LOS\ fault}$	2	$V_{CC\ HOST}$	V	4
LOS Normal	$V_{LOS\ norm}$	V_{ee}	$V_{ee} + 0.8$	V	4
Power Supply Noise Tolerance	$V_{CC\ T}/V_{CC\ R}$	Per SFF-8431 Rev 3.0		mVpp	5

Notes: 1. Connected directly to TX data input pins. AC coupling from pins into laser driver IC.
 2. Into 100 Ω differential termination.
 3. 20 – 80 % . Measured with Module Compliance Test Board and OMA test pattern. Use of four 1's and four 0's in sequence in the PRBS 9 is an acceptable alternative.
 4. LOS is an open collector output. Should be pulled up with 4.7 k Ω – 10 k Ω on the host board. Normal operation is logic 0; loss of signal is logic 1.
 5. See section 2.8.4 of SFF-8431. Rev 3.0.

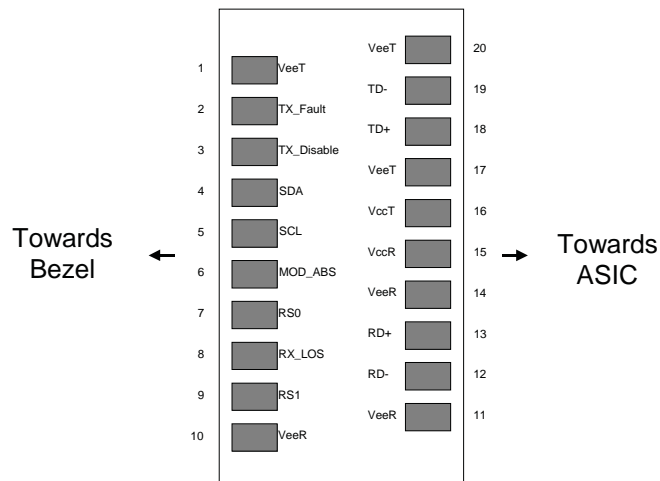
Datasheet

Host Board Connector Legend

Pin	Function	Name/Description	Note
1	V _{EET}	Transmitter Ground	1
2	T _{FAULT}	Transmitter Fault	2
3	T _{DIS}	Transmitter Disable. Laser output disabled on high or open.	3
4	SDA	2-wire Serial Interface Data Line	2
5	SCL	2-wire Serial Interface Clock Line	2
6	MOD_ABS	Module Absent. Grounded within the module.	2
7	RS0	Rate Select 0	4
8	RX_LOS	Loss of Signal indication. Logic 0 indicates normal operation.	5
9	RS1	Rate Select 1	4
10	V _{EER}	Receiver Ground	1
11	V _{EER}	Receiver Ground	1
12	RD-	Receiver Inverted DATA out. AC Coupled.	-
13	RD+	Receiver Non-inverted DATA out. AC Coupled.	-
14	V _{EER}	Receiver Ground	1
15	V _{CCR}	Receiver Power Supply	-
16	V _{CCT}	Transmitter Power Supply	-
17	V _{EET}	Transmitter Ground	1
18	TD+	Transmitter Non-Inverted DATA in. AC Coupled.	-
19	TD-	Transmitter Inverted DATA in. AC Coupled.	-
20	V _{EET}	Transmitter Ground	1

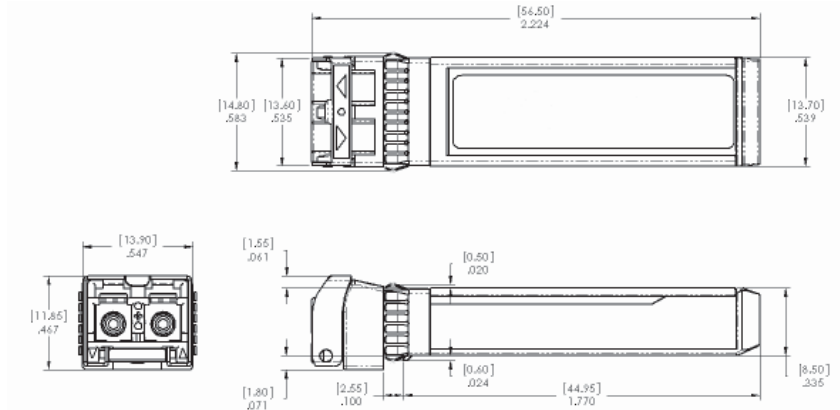
- Notes:**
1. Circuit ground is internally isolated from chassis ground.
 2. Should be pulled up with 4.7 kΩ – 10 kΩ on host board to a voltage between 2.0 V and 3.6 V. MOD_ABS pulls line low to indicate module is plugged in.
 3. Laser output disabled on T_{DIS} > 2.0V or open, enabled on T_{DIS} < 0.8V.
 4. Internally pulled down per SFF-8431 Rev 3.0
 5. LOS is open collector output. Should be pulled up with 4.7 kΩ – 10 kΩ on host board to a voltage between 2.0 V and 3.6 V. Logic 0 indicates normal operation; logic 1 indicates loss of signal.

Host Board Connector Pinout



Datasheet

Mechanical Dimensions



Ordering Information

Model	Description	Data Rate	Wavelength (nm)	Bail Latch Color	Max. Link Length (km)
SFP-10GD-IR2	SFP+ Transceiver Single-Mode	9.95 - 11.1 Gbps	1550	Red	0 -40

Regulatory and Industry Compliances

Class 1 Laser Product, complies with EN 60825-1 and 21 CFR 1040.10 except for deviations pursuant to Laser Notice No. 50. dated June 24, 2007
MSA SFF-8074i; Digital Diagnostic SFF-8472

Certified by one or more of the following agencies: TÜV, UL, CSA

RoHS Directive; China RoHS; California RoHS Law, REACH Directive SVHC; WEEE Directive

The Quality Management System is certified to ISO 9001 by QMI-SAI Global

The Environmental Management System is in compliance with ISO 14001

Warnings

Handling Precautions: This device is susceptible to damage as a result of electrostatic discharge (ESD). A static free environment is highly recommended. Follow guidelines according to proper ESD procedures.

Laser Safety: Radiation emitted by laser devices can be dangerous to human eyes. Avoid eye exposure to direct or indirect radiation.

MRV has more than 50 offices throughout the world. Addresses, phone numbers and fax numbers are listed at www.mrv.com. Please e-mail us at info@mrv.com or call us for assistance.

MRV Los Angeles
20415 Nordhoff Street
Chatsworth, CA 91311
800-338-5316
818-773-0900

MRV Boston
300 Apollo Drive
Chelmsford, MA 01824
800-338-5316
978-674-6800

MRV International
Business Park Moerfelden
Waldeckerstrasse 13
64546 Moerfelden-Walldorf
Germany
Tel. (49) 6105/2070
Fax (49) 6105/207-100

All statements, technical information and recommendations related to the products herein are based upon information believed to be reliable or accurate. However, the accuracy or completeness thereof is not guaranteed, and no responsibility is assumed for any inaccuracies. Please contact MRV Communications for more information. MRV Communications and the MRV Communications logo are trademarks of MRV Communications, Inc. Other trademarks are the property of their respective holders.