

Datasheet

Multi-Rate (2.7 Gbps) Single-Mode 112 km SFP Transceivers

SFP-MR27D-LR2



Highlights

- SFP transceiver
- Data Rates: 0.1 - 2.7 Gbps
- Protocols:
 - Fast Ethernet
 - 1 Gbps Ethernet
 - 1 Gbps Fibre Channel
 - 2 Gbps Fibre Channel
 - Digital Video
 - OC-3/STM-1 to OC-48/STM-16 and OC-48 with FEC
- Single-mode fiber
- 1550 nm
- 40 to 112 km
- Duplex LC connector
- Digital Diagnostics (SFF-8472)
- Hot-swap

Overview

Small Form-Factor Pluggable (SFP) interfaces from MRV Communications provide flexible high speed links in a small industry-standard package. They deliver the deployment options and inventory control that network administrators demand for growing networks.

SFPs are designed to Multi-Source Agreement (MSA) standards to ensure network equipment compatibility. They are a perfect addition to MRV’s extensive lines of networking equipment.

Visit the MRV website at www.mrv.com or contact your nearest authorized MRV Communications dealer for more information.

Specifications Overview

Data Rate	0.1 - 2.7 Gbps
Tx Wavelength	1550 nm
Tx Power (Minimum)	-2 dBm
Tx Dispersion Penalty	2 dB
Tx Disable	Yes
Rx Wavelength Range	1200 - 1625 nm
Rx Sensitivity	-28 dBm
Rx Saturation	-9 dBm
Damage Threshold	4 dBm
Operating Temperature Range	-5 to 70 °C
Power Consumption	1 Watt

Datasheet

Transmitter Specifications, Optical

Parameter	Symbol	Min	Max	Unit	Notes
Optical Power	P _{Op}	-2	3	dBm	-
Average Launch Power (Tx: Off)	P _{Off}	-	-30	dBm	-
Extinction Ratio	ER	8.2	-	dB	-
Eye Mask	-	IEEE 802.3ah and SONET/SDH compliant			-
Optical Jitter Generation	J _{gen}	-	0.007	UI	-
Optical Rise Time	t _r	-	160	ps	1
Optical Fall Time	t _f	-	160	ps	1
Mean Wavelength	λ	1500	1580	nm	-
Spectral Width (20 dB)	Δλ	-	1	nm	-
Dispersion Penalty (112 km SMF)	dp	-	2	dB	2
Relative Intensity Noise	RIN	-	-120	dB/Hz	-
Reflectance Tolerance	rp	-24	-	dB	3

- Notes:**
- 20% - 80% values
 - Measured at BER e⁻¹⁰, PRBS 2²³ -1, at eye center
 - 1 dB degradation of receiver sensitivity

Receiver Specifications, Optical

Parameter	Symbol	Min	Max	Unit	Notes
Receive Power Low	R _{sens,low}	-	-28	dBm	1
Receive Power High	R _{sens,high}	-9	-	dBm	1
Damage Threshold	P _{in,damage}	4	-	dBm	-
Wavelength	λ	1200	1625	nm	-
Maximum Reflectance	RX _r	-	-27	dB	-
LOS Assert	-	-42	-	dBm	-
LOS De-assert	-	-	-28	dBm	-
LOS Hysteresis	-	0.5	-	dB	-

- Notes:**
- Measured at 10⁻¹⁰ BER, PRBS 2²³ -1 for SONET; 10⁻¹² BER, PRBS 2⁷ -1 for Gigabit Ethernet

Digital Diagnostics

Parameter	Range	Accuracy	Unit	Calibration	Formula
Temperature	-5 to 70	± 3	°C	External	T _c (C) = T _{ad} (16 bit signed twos complement)/256
Voltage	0 to V _{CC}	± 0.1	V	External	V(Volts) = V _{ad} (16 bit unsigned integer)*0.1
Bias Current	0 to 120	± 5	mA	External	I(mA) = I _{slope} *I _{ad} (16 bit unsigned integer) + I _{offset}
Tx Power	-2 to 3	±3	dBm	External	Tx_PWR(μW) = Tx_PWR _{slope} *Tx_PWR _{ad} (16 bit unsigned integer) + Tx_PWR _{offset}
Rx Power	-32 to -9	±3	dBm	External	Rx_PWR(μW) = A0 + A1*x + A2*x^2 + A3*x^3 + A4*x^4

General Operating

Parameter	Symbol	Min.	Max.	Unit	Notes
Supply Voltage	V _{CC}	3.135	3.465	V	-
Total Current	I _{CC}	-	300	mA	-
Power Supply Noise Rejection	PSR	100	-	-	1
Operating Temperature	T _{Op}	-5	70	°C	-
Storage Temperature	T _{St}	-40	85	°C	-
Data Rate	DR	0.1	2.7	Gbps	-

- Notes:**
- Denotes deviation from MSA
 - 20 Hz to 155 MHz

Datasheet

Transmitter Specifications, Electrical

Parameter	Symbol	Min	Max	Unit	Notes
Input Differential Impedance	R_{in}	80	120	Ω	-
PECL Single Ended Data Input Swing	$V_{in,p-p}$	250	1200	mV	-
TxFault_Fault	V_{fault}	2	V_{CC}	V	-
TxFault_Normal	V_{normal}	V_{EE}	$V_{EE}+0.5$	V	-
TxDisable_Disable	V_d	2	V_{CC}	V	-
TxDisable_Enable	V_{en}	V_{EE}	$V_{EE}+0.8$	V	-

Electrical Output

Parameter	Symbol	Min	Max	Unit	Notes
PECL Single Ended Data Output Swing	$V_{out,p-p}$	185	800	mV	-
Data Output Rise Time	t_r	-	175	ps	-
Data Output Fall Time	t_f	-	175	ps	-

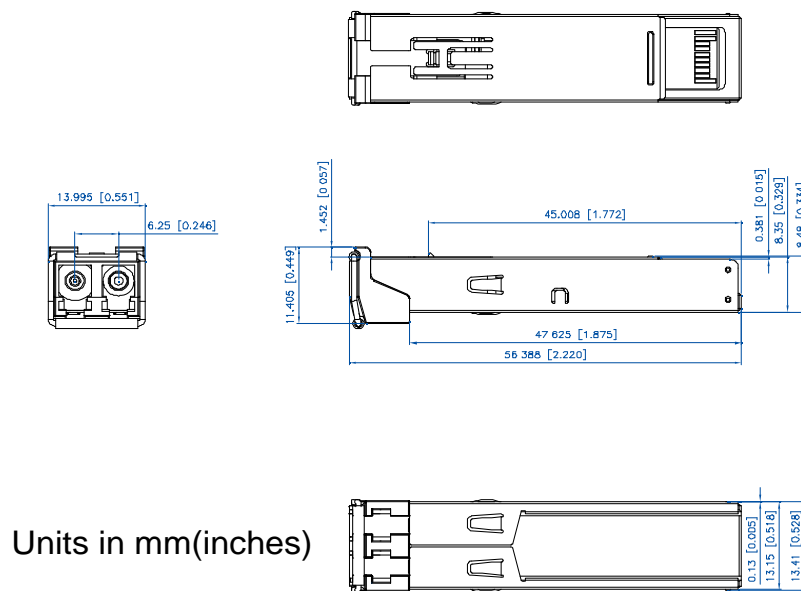
Timing and Electrical

Parameter	Symbol	Min	Max	Unit	Notes
Tx Disable Negate Time	t_{on}	-	1	ms	-
Tx Disable Assert Time	t_{off}	-	10	μs	-
Time to Initialize, Including Reset of Tx Fault	t_{init}	-	300	ms	-
Tx Fault Assert Time	t_{fault}	-	100	μs	-
Tx Disable to Reset	t_{reset}	10	-	μs	-
LOS Assert Time	$t_{loss_{on}}$	-	100	μs	-
LOS De-assert Time	$t_{loss_{off}}$	-	100	μs	-
Serial ID Clock Rate	f_{serial_clock}	-	100	KHz	-
RX_LOS Voltage (High)	RX_LOS_H	2	-	V	-
RX_LOS Voltage (Low)	RX_LOS_L	-	0.8	V	-
LOS Output Voltage-Fault	$V_{LOS\ fault}$	2	V_{CC}	V	-
LOS Output Voltage-Normal	$V_{LOS\ normal}$	V_{EE}	$V_{EE}+0.5$	V	-
MOD_DEF (0:2)-High	V_H	2	V_{CC}	V	-
MOD_DEF (0:2)-Low	V_L	V_{EE}	$V_{EE}+0.5$	V	-

Datasheet

Pin	Function	Notes
1	V _{ee} T	TX Ground
2	TX_FAULT	Open Collector
3	TX_DISABLE	Internally Pulled High
4	MOD_DEF2	Serial Data Input
5	MOD_DEF1	Serial Clock Input
6	MOD_DEF0	Internally Grounded
7	NC	Not Connected
8	LOS	Open Collector
9	V _{ee} R	RX Ground
10	V _{ee} R	RX Ground
11	V _{ee} R	RX Ground
12	RXD-	RX Data Negative
13	RXD+	RX Data Positive
14	V _{ee} R	RX Ground
15	V _{cc} R	RX Power
16	V _{cc} T	TX Power
17	V _{ee} T	TX Ground
18	TXD+	TX Data Positive
19	TXD-	TX Data Negative
20	V _{ee} T	TX Ground

Outline Drawing





Datasheet

Ordering Information

Model	Description	Data Rate (Gbps)	Wavelength (nm)	Bail Latch Color	Distance Range (km)
SFP-MR27D-LR2	Multi-Rate (Ethernet, Fibre Channel, SONET, DV) SFP Transceiver with Digital Diagnostics	0.1 - 2.7	1550	White	40 -112

Regulatory and Industry Compliances

Class 1 Laser Product, complies with EN 60825-1 and 21 CFR 1040.10 except for deviations pursuant to Laser Notice No. 50, dated June 24, 2007
MSA SFF-8074i; Digital Diagnostic SFF-8472

Certified by one or more of the following agencies: TÜV, UL, CSA

RoHS Directive; China RoHS; California RoHS Law, REACH Directive SVHC; WEEE Directive

The Quality Management System is certified to ISO 9001 by QMI-SAI Global

The Environmental Management System is in compliance with ISO 14001

Warnings

Handling Precautions: This device is susceptible to damage as a result of electrostatic discharge (ESD). A static free environment is highly recommended. Follow guidelines according to proper ESD procedures.

Laser Safety: Radiation emitted by laser devices can be dangerous to human eyes. Avoid eye exposure to direct or indirect radiation.

MRV has more than 50 offices throughout the world. Addresses, phone numbers and fax numbers are listed at www.mrv.com.
Please e-mail us at info@mrv.com or call us for assistance.

MRV Los Angeles
20415 Nordhoff Street
Chatsworth, CA 91311
800-338-5316
818-773-0900

MRV Boston
300 Apollo Drive
Chelmsford, MA 01824
800-338-5316
978-674-6800

MRV International
Business Park Moerfelden
Waldeckerstrasse 13
64546 Moerfelden-Walldorf
Germany
Tel. (49) 6105/2070
Fax (49) 6105/207-100

All statements, technical information, and recommendations related to the products herein are based upon information believed to be reliable or accurate. However, the accuracy or completeness thereof is not guaranteed, and no responsibility is assumed for any inaccuracies. Please contact MRV Communications for more information. MRV Communications and the MRV Communications logo are trademarks of MRV Communications, Inc. Other trademarks are the property of their respective holders.