

Datasheet

155 Mbps Single-Mode 24 km SFP Transceivers

SFP-O3-IR1



Highlights

- SFP transceiver
- Data Rates: 155 Mbps
- Protocols:
 - SDH STM-1
 - SONET OC-3
- Single-mode fiber
- 1310 nm
- 0 to 24 km
- Duplex LC connector
- Digital Diagnostics (SFF-8472) on select models
- Hot-swap
- Industrial temperature models available

Overview

Small Form-Factor Pluggable (SFP) interfaces from MRV Communications provide flexible high speed links in a small industry-standard package. They deliver the deployment options and inventory control that network administrators demand for growing networks.

SFPs are designed to Multi-Source Agreement (MSA) standards to ensure network equipment compatibility. They are a perfect addition to MRV's extensive lines of networking equipment.

Visit the MRV website at www.mrv.com or contact your nearest authorized MRV Communications dealer for more information.

Specifications Overview

Data Rate	155 Mbps
Tx Wavelength	1310 nm
Tx Power (Minimum)	-15 dBm
Dispersion Penalty	1 dB
Tx Disable	Yes
Rx Wavelength Range	1260 - 1580 nm
Rx Sensitivity	-28 dBm
Rx Saturation	-8 dBm
Operating Temperature Range	0 to 70 °C
Operating Temperature Range (TH Models)	-40 to 85 °C
Power Consumption	1 Watt

Datasheet

Optical Specifications

Parameter	Symbol	Minimum	Maximum	Unit	Note
Transmitter					
Center Wavelength	λ_C	1261	1360	nm	-
Average Output Power	P_{OUT}	-15	-8	dBm	1
Spectral Width (RMS)	$\Delta\lambda$	-	7.7	nm	-
Extinction Ratio	EX	8.2	-	dB	-
Jitter Generation (RMS)	-	-	0.01	UI	-
Jitter Generation (pk-pk)	-	-	0.1	UI	-
Optical Eye Mask	Compliant with Telecordia GR-253-CORE and ITU-T G.957				2
Receiver					
Center Wavelength	λ_C	1260	1580	nm	-
Receiver Sensitivity	P_{IN}	-	-28	dBm	3
Receiver Overload	P_{IN}	-8	-	dBm	3
Optical Path Penalty	-	-	1	dB	4
LOS Assert	LOS_A	-45	-	dBm	-
LOS De-Assert	LOS_D	-	-31	dBm	-
LOS Hysteresis	-	1	4	dB	-

- Notes:
1. The optical power is launched into SMF.
 2. Measured with a PRBS 2²³-1 test pattern @155 Mbps.
 3. Measured with a PRBS 2²³-1 test pattern @155 Mbps, BER $\leq 1 \times 10^{-10}$.
 4. Measured with a PRBS 2²³-1 test pattern @155 Mbps, over 15km G.652 SMF, BER $\leq 1 \times 10^{-10}$.

Monitoring Specifications

Parameter	Range	Accuracy	Calibration
Temperature	-40 to 95 °C	± 3 °C	External
Voltage	3.0 to 3.6 V	± 3 %	External
Bias Current	0 to 100 mA	± 10 %	External
Tx Pwr	-16 to -7 dBm	± 3 dB	External
Rx Power	-30 to -7 dBm	± 3 dB	External

Absolute Maximum Ratings*

Parameter	Symbol	Minimum	Maximum	Unit	Note
Maximum Supply Voltage	V_{CC}	-0.5	3.6	V	-
Operating Case Temperature	T_C	0	70	°C	-
Operating Case Temperature (TH Models)	T_C	-40	85	°C	-
Storage Temperature	T_S	-40	85	°C	-
Relative Humidity (Non-Condensing)	RH	5	95	%	-

* Exceeding the limits listed in the table may damage the transceiver module permanently.

Recommended Operating Conditions

Parameter	Symbol	Minimum	Maximum	Unit	Note
Operating Case Temperature	T_C	0	70	°C	-
Operating Case Temperature (TH Models)	T_C	-40	85	°C	-
Power Supply Voltage	V_{CC}	3.13	3.47	V	-
Power Supply Current	I_{CC}	-	300	mA	-
Power Dissipation	P_D	-	1	W	-
Data Rate	DR	-	155	Mbps	-

Datasheet

Electrical Specifications

Parameter	Symbol	Minimum	Maximum	Unit	Note
Transmitter					
Data Input Swing Differential	V _{IN}	500	2400	mV	1
Input Differential Impedance	Z _{IN}	90	110	Ω	-
TxDisable_Disable	V _D	2.0	V _{CC}	V	-
TxDisable_Enable	V _{EN}	GND	GND + 0.8	V	-
TxFault_Fault	-	2.0	V _{CC} + 0.3	V	-
TxFault_Normal	-	0	0.8	V	-
Receiver					
Data Output Swing Differential	V _{out}	370	2000	mV	1
Rx_LOS Fault	V _{LOS Fault}	V _{ee}	V _{CC} + 0.3	V	-
Rx_LOS Normal	V _{LOS Normal}	-	GND + 0.8	V	-

Notes: 1. Internally AC coupled

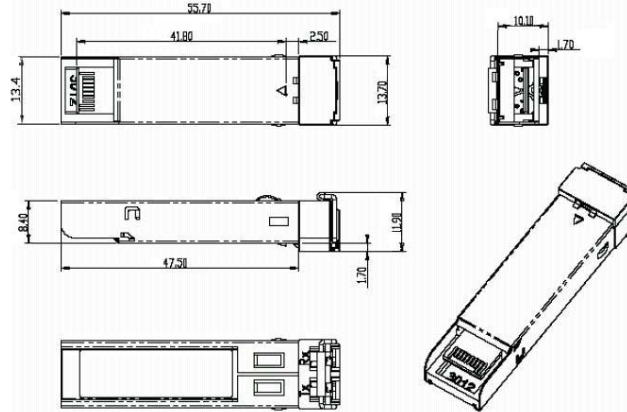
Pin Descriptions

Pin	Function	Name/Description	Plug Seq.	Note
1	VeeT	Transmitter Ground	1	-
2	Tx Fault	Transmitter Fault Indication	3	1
3	Tx Disable	Transmitter Disable	3	2
4	MOD_DEF(2)	Module Definition 2	3	3
5	MOD_DEF(1)	Module Definition 1	3	3
6	MOD_DEF(0)	Module Definition 0	3	3
7	Rate Select	Not Connected	3	-
8	LOS	Loss of Signal Indication	3	4
9	VeeR	Receiver Ground	1	-
10	VeeR	Receiver Ground	1	-
11	VeeR	Receiver Ground	1	-
12	RD-	Inverted Received Data Out	3	5
13	RD+	Received Data Out	3	5
14	VeeR	Receiver Ground	1	-
15	VccR	Receiver Power	2	-
16	VccT	Transmitter Power	2	-
17	VeeT	Transmitter Ground	1	-
18	TD+	Transmitter Data In	3	6
19	TD-	Inverted Transmitter Data In	3	6
20	VeeT	Transmitter Ground	1	-

- Notes:**
- TX Fault is an open collector output, which should be pulled up with a 4.7 k~10 kΩ resistor on the host board to a voltage between 2.0 V and V_{CC}+0.3V. Logic 0 indicates normal operation; logic 1 indicates a laser fault of some kind. In the low state, the output will be pulled to less than 0.8 V.
 - TX Disable is an input that is used to shut down the transmitter optical output. It is pulled up within the module with a 4.7 k~10 kΩ resistor. Its states are:
 Low (0~0.8 V): Transmitter on
 (>0.8V, <2.0V): Undefined
 High (2.0~3.465V): Transmitter Disabled
 Open: Transmitter Disabled
 - MOD-DEF 0,1,2 are the module definition pins. They should be pulled up with a 4.7 k~10 kΩ resistor on the host board. The pull-up voltage shall be V_{CC}T or V_{CC}R.
 MOD-DEF 0 is grounded by the module to indicate that the module is present
 MOD-DEF 1 is the clock line of two wires serial interface for serial ID
 MOD-DEF 2 is the data line of two wires serial interface for serial ID
 - LOS is an open collector output, which should be pulled up with a 4.7 k~10 kΩ resistor on the host board to a voltage between 2.0 V and V_{CC}+0.3V. Logic 0 indicates normal operation; logic 1 indicates loss of signal. In the low state, the output will be pulled to less than 0.8 V.
 - These are the differential receiver output. They are internally AC-coupled 100 Ω differential lines which should be terminated with 100 Ω (differential) at the user SERDES.
 - These are the differential transmitter inputs. They are AC-coupled, differential lines with 100 Ω differential termination inside the module.

Datasheet

Mechanical Dimensions



Ordering Information

Model	Description	Data Rate (Mbps)	Connector	Bail Latch Color	Digital Diagnostics	Maximum Distance Range (km)*
SFP-O3-IR1	SDH STM-1, SONET OC-3 SFP Transceiver	155	Duplex LC	Grey	No	0 - 24
SFP-O3D-IR1	SDH STM-1, SONET OC-3 SFP Transceiver	155	Duplex LC	Grey	Yes	0 - 24
SFP-O3-IR1TH	SDH STM-1, SONET OC-3 SFP Transceiver, <i>Temperature Hardened</i>	155	Duplex LC	Grey	No	0 - 24
SFP-O3D-IR1TH	SDH STM-1, SONET OC-3 SFP Transceiver, <i>Temperature Hardened</i>	155	Duplex LC	Grey	Yes	0 - 24

* Maximum range quoted is not possible with all wavelength and/or fiber. Please consult MRV.

Regulatory and Industry Compliances

Class 1 Laser Product, complies with EN 60825-1 and 21 CFR 1040.10 except for deviations pursuant to Laser Notice No. 50, dated June 24, 2007
MSA SFF-8074i; Digital Diagnostic SFF-8472

Certified by one or more of the following agencies: TÜV, UL, CSA

RoHS Directive; China RoHS; California RoHS Law, REACH Directive SVHC; WEEE Directive

The Quality Management System is certified to ISO 9001 by QMI-SAI Global

The Environmental Management System is in compliance with ISO 14001

Warnings

Handling Precautions: This device is susceptible to damage as a result of electrostatic discharge (ESD). A static free environment is highly recommended. Follow guidelines according to proper ESD procedures.

Laser Safety: Radiation emitted by laser devices can be dangerous to human eyes. Avoid eye exposure to direct or indirect radiation.

MRV has more than 50 offices throughout the world. Addresses, phone numbers and fax numbers are listed at www.mrv.com. Please e-mail us at info@mrv.com or call us for assistance.

MRV Los Angeles
20415 Nordhoff Street
Chatsworth, CA 91311
800-338-5316
818-773-0900

MRV Boston
300 Apollo Drive
Chelmsford, MA 01824
800-338-5316
978-674-6800

MRV International
Business Park Moerfelden
Waldeckerstrasse 13
64546 Moerfelden-Walldorf
Germany
Tel. (49) 6105/2070
Fax (49) 6105/207-100

All statements, technical information, and recommendations related to the products herein are based upon information believed to be reliable or accurate. However, the accuracy or completeness thereof is not guaranteed, and no responsibility is assumed for any inaccuracies. Please contact MRV Communications for more information. MRV Communications and the MRV Communications logo are trademarks of MRV Communications, Inc. Other trademarks are the property of their respective holders.