

Datasheet

100/155 Mbps Dual-Rate 170 km SFP Transceiver

SFP-O3D-XLR



Highlights

- SFP transceiver
- Data Rates: 100 to 155 Mbps
- Protocols:
 - Fast Ethernet
 - OC-3/STM-1
- Single-mode fiber
- 1550 nm
- 60 - 170 km
- Duplex LC connector
- Digital Diagnostics (SFF-8472)
- Hot-swap

Overview

Small Form-Factor Pluggable (SFP) interfaces from MRV Communications provide flexible high speed links in a small industry-standard package. They deliver the deployment options and inventory control that network administrators demand for growing networks.

SFPs are designed to Multi-Source Agreement (MSA) standards to ensure network equipment compatibility. They are a perfect addition to MRV’s extensive lines of networking equipment.

Visit the MRV website at www.mrv.com or contact your nearest authorized MRV Communications dealer for more information.

Specifications Overview	
Data Rate	100 - 155 Mbps
Tx Wavelength	1550 nm
Tx Power (Minimum)	1 dBm
Tx Dispersion Penalty	2 dB
Tx Extinction Ratio	10 dB
Tx Disable	Yes
Rx Wavelength Range	1480 - 1580 nm
Rx Sensitivity	-42 dBm
Rx Saturation	-8 dBm
Operating Temperature Range	0 to 70 °C
Power Consumption	1 Watt

Datasheet

Optical Transmitter Specifications

Parameter	Symbol	Min	Max	Unit	Note
Optical Power	P_{op}	1	5	dBm	-
Average Launch Power (Tx: Off)	P_{off}	-	-45	dBm	-
Extinction Ratio	ER	10	-	dB	-
Eye Mask	SONET/SDH Compliant				-
Optical Jitter Generation	J_{gen}	-	0.002	UI	-
Optical Rise/Fall Time	t_r/t_f	-	1000	ps	1
Wavelength	λ	1500	1580	nm	-
Spectral Width (20 dB)	$\Delta\lambda$	-	1	nm	-
Side Mode Suppression Ratio	SMSR	30	-	dB	-
Dispersion Penalty (@150 km)	DP	-	2	dB	-
Relative Intensity Noise	RIN	-	-120	dB/Hz	-
Reflection Tolerance	rp	-24	-	dB	-

Notes: 1. 20% - 80% values

Optical Receiver Specifications

Parameter	Symbol	Min	Max	Unit	Note
Receive Power	$R_{sens,low/high}$	-42	-8	dBm	1
Damage Threshold for Receiver	$P_{in,damage}$	4	-	dBm	-
Mean Rx Wavelength	λ	1480	1580	nm	2
LOS Assert	LOS_A	-52	-	dBm	-
LOS De-assert	LOS_D	-	-42	dBm	-
LOS Hysteresis	HYS	0.5	-	dB	-

Notes: 1. At 10^{-10} BER, PRBS 2²³-1
2. Operational over 1200 nm to 1625 nm range

Digital Diagnostics

Parameter	Range	Accuracy	Unit	Calibration	Formula	Note
Temperature	-5 to 70	± 3	°C	Internal	$T_c(C) = T_{ad}(16 \text{ bit signed twos complement})/256$	-
Voltage	0 to V_{CC}	0.1	V	Internal	$V(\text{Volts}) = V_{ad}(16 \text{ bit unsigned integer}) * 0.1$	-
Bias Current	0 to 120	5	mA	External	$I(\text{mA}) = I_{slope} * I_{ad}(16 \text{ bit unsigned integer}) + I_{offset}$	-
TX Power	1 to 5	± 3	dBm	External	$TX_PWR(\mu W) = TX_PWR_{slope} * TX_PWR_{ad}(16 \text{ bit unsigned integer}) + TX_PWR_{offset}$	-
RX Power	-42 to -10	± 5	dBm	External	$RX_PWR(\mu W) = A_0 + A_1 * x + A_2 * x^2 + A_3 * x^3 + A_4 * x^4$	-

Datasheet

General Operations

Parameter	Symbol	Min.	Max.	Unit	Note
Supply Voltage	V_{CC}	3.135	3.465	V	-
Total Current	I_{CC}	-	300	mA	-
Power Supply Noise Rejection	PSR	100	-	mV _{p-p}	1
Operating Temperature of SFP Case	T_{Op}	-5	70	°C	2
Storage Temperature	T_{St}	-40	85	°C	-
Data Rate OC-3/STM-1	DR	100	155	Mbps	-

- Notes:**
1. 20 Hz to 155 MHz
 2. Maximum Relative Humidity is 85%, non-condensing

Electical Transmitter Specifications

Parameter	Symbol	Min	Max	Unit	Note
Input Differential Impedence	R_{in}	80	120	Ω	-
PECL Single-Ended Data Input Swing	$V_{in,p-p}$	250	1200	mV	-
TxFault_Fault	V_{fault}	2	V_{CC}	V	-
TxFault_Normal	V_{normal}	V_{EE}	$V_{EE} + 0.5$	V	-
TxDisable_Disable	V_d	2	V_{CC}	V	-
TxDisable_Enable	V_{en}	V_{EE}	$V_{EE} + 0.8$	V	-

Electical Receiver Specifications

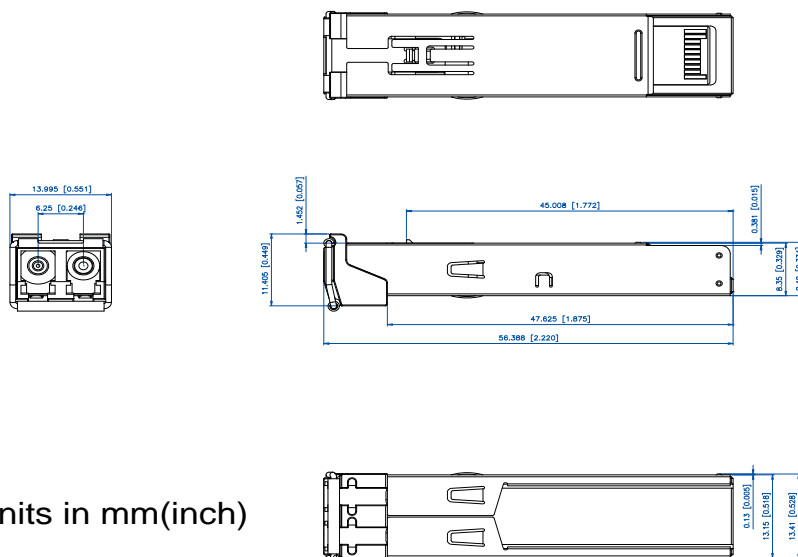
Parameter	Symbol	Min	Max	Unit	Note
PECL Single Ended Data Output Swing	$V_{out,p-p}$	185	800	mV	-
Data Output Rise Time	t_r	-	2	ns	-
Data Output Fall Time	t_f	-	2	ns	-

Timing and Electrical

Parameter	Symbol	Min	Max	Unit	Note
Tx Disable Negate Time	t_{on}	-	5	ms	-
Tx Disable Assert Time	t_{off}	-	10	μ s	-
Time to Initialize, Including Reset of Tx Fault	t_{init}	-	300	ms	-
Tx Fault Assert Time	t_{fault}	-	100	μ s	-
Tx Disable To Reset	t_{reset}	10	-	μ s	-
LOS Assert Time	$t_{loss_{on}}$	-	100	μ s	-
LOS De-assert Time	$t_{loss_{off}}$	-	100	μ s	-
Serial ID Clock Rate	f_{serial_clock}	-	100	KHz	-
RX_LOS Voltage (High)	-	2	-	V	-
RX_LOS Voltage (Low)	-	-	0.8	V	-
LOS Output Voltage-Fault	$V_{LOS\ fault}$	2	V_{CC}	V	-
LOS Output Voltage-Normal	$V_{LOSnormal}$	V_{EE}	$V_{EE} + 0.5$	V	-
MOD_DEF (0:2)-High	V_h	2	V_{CC}	V	-
MOD_DEF (0:2)-Low	V_l	V_{EE}	$V_{EE} + 0.5$	V	-

Datasheet

Pin	Function	Notes
1	V _{ee} T	TX Ground
2	TX_FAULT/INT	Open Collector
3	TX_DISABLE	Internally Pulled High
4	MOD_DEF2	Serial Data Input
5	MOD_DEF1	Serial Clock Input
6	MOD_DEF0	Internally Grounded
7	NC	Not Connected
8	LOS	Open Collector
9	V _{ee} R	RX Ground
10	V _{ee} R	RX Ground
11	V _{ee} R	RX Ground
12	RXD-	RX Data Negative
13	RXD+	RX Data Positive
14	V _{ee} R	RX Ground
15	V _{cc} R	RX Power
16	V _{cc} T	TX Power
17	V _{ee} T	TX Ground
18	TXD+	TX Data Positive
19	TXD-	TX Data Negative
20	V _{ee} T	TX Ground

Outline Drawing




Datasheet

Ordering Information

Model	Description	Data Rate (Mbps)	Wavelength (nm)	Connector	Bail Latch Color	Distance Range (km)
SFP-O3D-XLR	SFP FE/OC3 Transceiver	100 - 155	1550	Dual LC	White	60 - 170

Regulatory and Industry Compliances

Class 1 Laser Product, complies with EN 60825-1 and 21 CFR 1040.10 except for deviations pursuant to Laser Notice No. 50. dated June 24, 2007
MSA SFF-8074i; Digital Diagnostic SFF-8472

Certified by one or more of the following agencies: TÜV, UL, CSA

RoHS Directive; China RoHS; California RoHS Law, REACH Directive SVHC; WEEE Directive

The Quality Management System is certified to ISO 9001 by QMI-SAI Global

The Environmental Management System is in compliance with ISO 14001

Warnings

Handling Precautions: This device is susceptible to damage as a result of electrostatic discharge (ESD). A static free environment is highly recommended. Follow guidelines according to proper ESD procedures.

Laser Safety: Radiation emitted by laser devices can be dangerous to human eyes. Avoid eye exposure to direct or indirect radiation.

MRV has more than 50 offices throughout the world. Addresses, phone numbers and fax numbers are listed at www.mrv.com.
Please e-mail us at info@mrv.com or call us for assistance.

MRV Los Angeles
20415 Nordhoff Street
Chatsworth, CA 91311
800-338-5316
818-773-0900

MRV Boston
300 Apollo Drive
Chelmsford, MA 01824
800-338-5316
978-674-6800

MRV International
Business Park Moerfelden
Waldeckerstrasse 13
64546 Moerfelden-Walldorf
Germany
Tel. (49) 6105/2070
Fax (49) 6105/207-100

All statements, technical information and recommendations related to the products herein are based upon information believed to be reliable or accurate. However, the accuracy or completeness thereof is not guaranteed, and no responsibility is assumed for any inaccuracies. Please contact MRV Communications for more information. MRV Communications and the MRV Communications logo are trademarks of MRV Communications, Inc. Other trademarks are the property of their respective holders.